
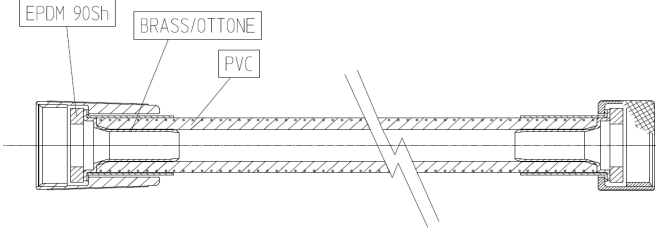
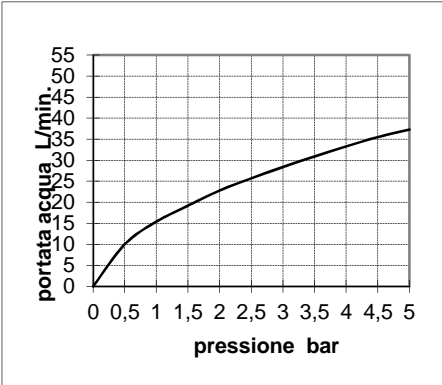


BOSSINI		SCHEDA TECNICA TECHNICAL SHEET		Date: 16/04/2015	Rev/0																								
Codice / Code: A00159		Descrizione / description: FLESSIBILE CROMOLUX RETINATO NYLON 1/2" X 1/2" FF CONICO CROMOLUX NYLON REINFORCED HOSE, 1/2" X 1/2" FF CONICAL NUT																											
Foto / image		Disegni / drawings																											
																													
Grafico di portata / Flow rate diagram																													
		<table border="1"> <thead> <tr> <th>pressione bar</th> <th>portata L/min</th> </tr> </thead> <tbody> <tr><td>0</td><td>0</td></tr> <tr><td>0,5</td><td>10</td></tr> <tr><td>1</td><td>15,4</td></tr> <tr><td>1,5</td><td>19,2</td></tr> <tr><td>2</td><td>22,8</td></tr> <tr><td>2,5</td><td>25,7</td></tr> <tr><td>3</td><td>28,4</td></tr> <tr><td>3,5</td><td>30,9</td></tr> <tr><td>4</td><td>33,3</td></tr> <tr><td>4,5</td><td>35,5</td></tr> <tr><td>5</td><td>37,3</td></tr> </tbody> </table>				pressione bar	portata L/min	0	0	0,5	10	1	15,4	1,5	19,2	2	22,8	2,5	25,7	3	28,4	3,5	30,9	4	33,3	4,5	35,5	5	37,3
pressione bar	portata L/min																												
0	0																												
0,5	10																												
1	15,4																												
1,5	19,2																												
2	22,8																												
2,5	25,7																												
3	28,4																												
3,5	30,9																												
4	33,3																												
4,5	35,5																												
5	37,3																												
MATERIALI / materials																													
OTTONE/BRASS - PVC - EPDM 90Sh																													
CARATTERISTICHE IDRAULICHE / hydraulic features																													
	pressione pressure	portata flow rate	temperatura temperature	solo per miscelatori termostatici only for thermostatic mixers																									
min	1 bar	--	--	Blocco di sicurezza safety lock	/																								
max	5 bar	--	<70°C	Temperatura acqua fredda cold water temperature	/																								
consigliata recommended	2-3 bar	--	<42°C	Temperatura acqua calda hot water temperature	/																								
CERTIFICAZIONI / CERTIFICATIONS: ACS - NF (EN1113)																													
CONFORMITA' / CONFORMITY .																													